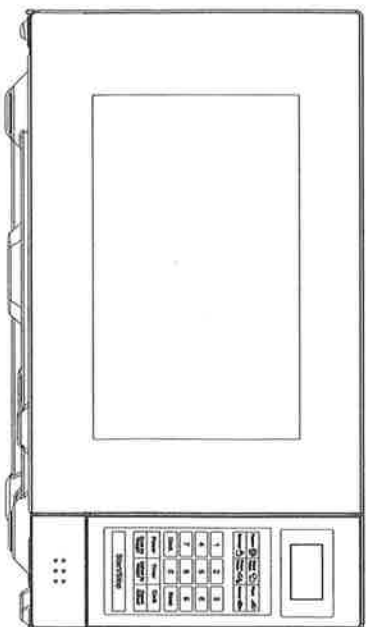


DLUX

BY SWIFT GROUP

MICROWAVE OVEN INSTRUCTION MANUAL



**MODEL 23PX27
25PX27**

Voltage : 220 - 240V , 50Hz

IMPORTANT

Read all the instructions before using. Retain the instructions for further reference.

SAFETY INFORMATION GENERAL

1. Check that you have the correct switched GPO, 240V A.C. 50HZ. and the socket is properly grounded. This GPO must be located close by such that the microwave cord can be plugged in and is accessible.
2. Do not operate the oven without any liquid or solid foods inside the oven. This would do damage to the oven.
3. Do not store food or any other items in the oven.
4. Children should be supervised to ensure that they do not play with the appliance.
5. Children , the infirm , persons with reduced physical, sensory or mental capabilities shall not operate the appliance unless instructed and supervised by a person responsible for their safety.
6. Only use accessories marked as suitable for microwave use.
7. Make sure the utensils do not touch the interior walls during cooking
8. Do not use outdoors.
9. Do not use to dry items of clothing etc. The microwave is intended for heat food and beverages only. Do not place clothing, warming pads, slippers, sponges and similar in the ove as this may cause a risk of fire or injury.
10. Do not use harsh abrasive cleaners or sharp objects as they may scratch or cause the glass to break.

11. This appliance is for household domestic or similar use only.

SAFETY DURING USE

1. To reduce the risk of fire:
 - a. Do not overcook the food
 - b. o not place metal parts i.e. wire twist ties in the oven. This includes meal food containers
 - c. Do not heat oil or fat for deep frying as the temperature of oil cannot be controlled.
 - d. After use wipe the waveguide cover with a damp cloth, followed by dry cloth to remove any food splashes and grease. built up grease may overheat and begin to smoke or catch fire. If smoke is emitted , switch off or unplug the appliance. Keep the door closed in order to stifle any flames.
 - e. When heating food in plastic or paper containers, keep an eye on the oven due to the possibility of ignition.
2. To reduce the risk of explosion or sudden boiling:
 - a. **WARNING** Liquids and other foods must not be heated in sealed containers since they are liable to explode; Baby bottles fitted with a screw cap or teat are considered to be sealed containers.
 - b. Use wide mouthed containers to cook liquids. Liquid containers should not be removed immediately to avoid possible hazards caused by eruptive boiling of liquids.
 - c. Potatoes, sausage and nuts should be peeled or pierced before cooking. Eggs must not be cooked in the shell and ensure that the yoke is pierced before cooking hard boiled eggs as they may explode after microwave has stopped.

- d. Always stir liquid or viscous foods and check temperature before consuming.
 - e. Use gloves to take food out of the oven and avoid steam burns by directing steam away from the face and hands. Slowly lift the furthest edge of dish cover or oven cooking bags ensuring that they open away from face.
- To prevent the turntable from breaking:
- a. Let the turntable cool down before cleaning.
 - b. Do not place hot foods or utensils on the cold turntable.
 - c. Do not place frozen foods or utensils on the hot turntable. To prevent Burns
 - a. The door of the outer surface may get hot when the appliance is used. Avoid touching outer surfaces without first checking the temperature. Internal surfaces can become hot including containers and food, use gloves to avoid burns.

MECHANICAL AND ELECTRICAL SAFETY.

- 1. Only replace the electrical supply cord with one supplied by the manufacturer or agent. To be replaced by a qualified technician to avoid shock hazard.
- 2. **WARNING:** If the door or door seals are damaged or the oven is malfunctioning it must not be operated until repaired by a competent person.
- 3. **WARNING:** Do not remove the appliance cover. This can only be done by a trained competent person.
- 4. Do not operate by means of an external timer or separate remote control system.
- 5. The lamp of the microwave is intended for microwave use only.

- 6. A steam cleaner is not to be used.

INSTALLATION

- 1. The position of the oven shall be such that it is far from the TV. Radio or antenna as picture disturbance or noise may occur.
- 2. The appliance must be positioned so that the plug is accessible.
- 3. The microwave can be installed free standing or in a cavity. When installing in a cavity a trim kit is available which ensures the minimum clearances required.

FITTING INSTRUCTIONS

LOCATING MICROWAVE

The microwave can be mounted on a bench or shelf where there is clear access to the controls and the door is free to open. The oven should be positioned with a minimum space of 25mm on the left side and the rear should allow a minimum space of 40mm. The minimum height above the microwave is 14mm.

FIXING MICROWAVE IN POSITION

When mounting in a fixed position is required e.g. Caravans, a pair of mounting brackets (Pt. No. *****) are available. Remove the cabinet end screws (4) and refit with the locating brackets positioned so that the return flanges are under the microwave feet. Locate the microwave into position and drill up from below the bench or shelf into the brackets and fix

into position using metal screws which are long enough to pass through the bracket by no more than 20mm. The screws should be positioned close to the edge of the microwave.

MOUNTING IN A CAVITY

Where the Microwave is required to be mounted in a cavity a cavity mounting kit is available (Micro Flush Kit) which can be attached to the microwave through the holes in the outer casing.

Preparation of cavity: Minimum Opening size: Width 520mm x Height 310mm. Minimum Cavity Depth 370mm. The cavity shall be wider within the cavity on the left hand side of the opening by 10mm. The cavity shall be ventilated in the top, back or left side with a minimum opening of 75 square centimetres for ventilation into an adjoining area within the caravan. A hole is to be provided to pass the power lead through and the switched GPO must be accessible. To fix into position slide the microwave back into position then open the microwave door and fix through the four holes top and bottom of the surround.

TRAVELLING

If the microwave is to be transported or carried ensure that the glass turntable is removed and packed securely to avoid breakage. Do not leave containers in the oven as they may break or damage the interior of the oven.

CLEANING

MICROWAVE OVEN CARE

The oven should be cleaned regularly and any food deposits removed.

1. WARNING: Remove the power cord from the wall outlet before cleaning. Don't immerse the appliance in water or other fluids when cleaning.

2. Failure to maintain the oven in a clean condition could lead to deterioration of the surface that could adversely affect the life of the appliance and possibly result in a hazardous situation.

3. Never use hard detergent, gasoline, abrasive powder or metal brush to clean any part of the appliance.

4. Do not remove the waveguide cover.

5. Over time odours may occur in the oven. The following methods can be used to refresh the oven: Place a cup of sliced lemon, orange peel or black tea in the oven and heat on high power for 2-3 minutes.

6. WARNING: Only allow children to clean the oven under supervision and ensure they understand the hazard of improper use.

7. Use a lightly dampened cloth to wipe the outside cabinet to avoid water entering cabinet. Wipe door seals and the interior to remove spills or spatter. Remove the turntable glass and ring assembly and wash in soapy water.

TIPS FOR CLEANING

Details for cleaning door seals, cavity and adjacent parts.

Exterior:

Wipe the interior with a dampened soft cloth.

Door:

Using a dampened soft cloth, wipe clean the door and window.

Wipe the door seals and adjacent parts to remove any spill or spatter.

Wipe the control panel with a slightly dampened soft cloth.

Interior Walls:

Wipe clean the cavity with a dampened soft cloth.

Wipe clean the waveguide cover to remove any food splashed.

Turntable/Rotation ring/Rotation axis:

Wash with mild soapy water.

Rinse with clean and allow to dry.

GETTING STARTED

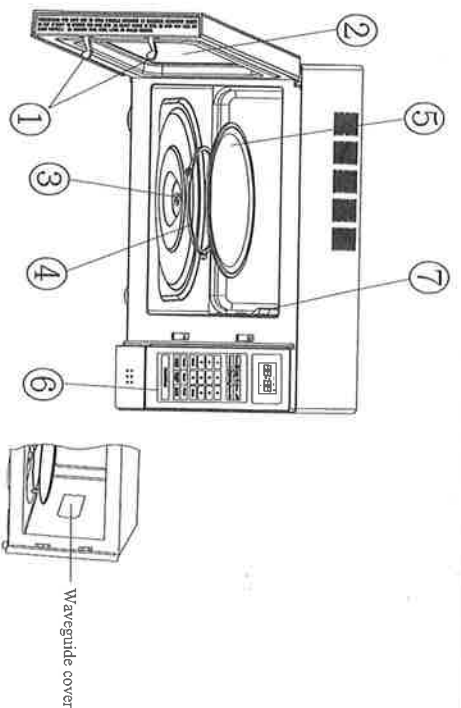
Remove packing from the microwave.

Turn the power on and allow 30 seconds until microwave gives a BEEP. The microwave is now ready to use.

SIMPLE COOKING SET UP

1. Select required cooking time e.g. 2 minutes.
Press 200
2. Press Power
3. Press Start

PRODUCT INSTRUCTION



1) Door lock

Microwave oven door must be properly closed in order for it to operate

2) Viewing window

Allow user to see the cooking status

3) Rotating axis

The glass turntable sits on the axis; the motor underneath it drives the turntable to rotate

4) Rotating ring

The glass turntable sits on its wheels; it supports the turntable and helps it to balance when rotating

5) Turntable

The food sits on the turntable, its rotation during operation helps to cook food evenly

CAUTION

- Place the rotating ring first
- Fit the turntable onto the rotating axis and make sure that it is geared in properly

6) Control panel

See below in details (the control panel is subject to change without prior notice)

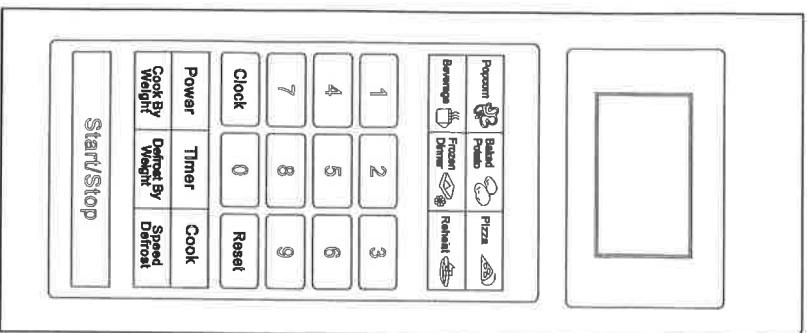
7) Waveguide cover

It is inside the microwave oven, next to the wall of control panel.

WARNING

Never remove the waveguide cover

OPERATION OF CONTROL PANEL



1. BEEPS DURING OVEN SETTING

ONE BEEP: Oven accepts the entry.

TWO BEEPS: Oven does not accept the entry, check and try again.

2. NUMBER PADS (0-9)

Number pads are used for selecting the food kind and cooking time.

3. RESET

Clear all previous settings.

4. START/STOP

Touch to start or stop cooking.

5. COOK

Use for multi-stage cooking. It enable cooking at multiple power and time settings automatically.

6. SETTING THE CLOCK

1. On standby state, touch **Clock** key.

Note: on the state of setting clock the step can be omitted.

2. Use the number keys to enter the correct time. You must touch at least three numbers to set the clock (one for hour and two for minutes).

3. Touch **Clock** key again. The system will enter clock state.

Note: This is a 24 hour clock. When the oven is first plugged in or when power resumes after a power interruption, the display will show ENTER, CLOCK, TIME, if you prefer to not have the clock displayed, touch **Reset** key. You can check the clock time while cooking is in progress by touching the **Clock** key.

Example: to set 12:30

Steps	Display
1 After power-up, the colon flashes, then press Reset button once or wait for 30sec	:
2 Press the button of "1", "2", "3", "0"	12:30
3 Press the Clock button to confirm it	

7. SETTING THE OVEN TIMER

1. Touch **Timer** key.
 2. Enter the amount of time you want to count down by touching the number keys. Digit time is in minutes and seconds and set left to right. Set one digit (a 5 for 5 seconds) or up to four digits (2405 for 24 minutes, 5 seconds). The maximum number can be entered is 99min, 99sec.
 3. Touch **Start/Stop** key confirm it
- CAUTION**
- a. Time countdown can be seen in display for 3 seconds before clock or cooking time is returned to display.
 - b. Touch **Timer** and then touch **Reset** to cancel TIMER during timing process.

8. SETTING COOKING TIME AND POWER LEVEL

A. One-stage cooking

1. On standby state or clock state, use the number keys to set a cooking time. You can set a cooking time from one second to 99 minutes and 99 seconds. If you are setting a time greater than one minute, you must enter numbers for both minutes and seconds. For example: to set 20 minutes, enter 2, 0, 0, 0.
2. Press **Power** and number button to select the desired power level.
3. Touch **Start/Stop** to start cooking. USE THESE SINGLE DIGITS TO REPRESENT POWER LEVELS.

Number key	% of power	Microwave instruction
Tap POWER once	100%	P100 and P90 --- High power, 100% and 90% microwave power. Applicable for quick and thorough cooking
9	90%	
8	80%	P80 and P70 --- Medium High power, 80% and 70% microwave power. Applicable for medium express cooking
7	70%	
6	60%	P60 and P50 --- Medium power, 60% and 50% microwave power. Applicable for steaming food
5	50%	
4	40%	P40 and P30 --- Medium Low power, 40% and 30% microwave power. Applicable for defrosting food
3	30%	
2	20%	P20 and P10 --- Low power, 20% and 10% microwave power. Applicable for keeping warm
1	10%	

Example: To cook at P80 for 10 minutes.

Steps	Display
1 After power-up, the colon flashes, then press Reset button once or wait for 30sec	:
2 Set cooking time by pressing the number button of "1", "0", "0", "0"	10:00
3 Touch Power once then select the desired microwave power by pressing number "8"	80P
4 Press Start/Stop button to start, and LED will count down to show left time	

CAUTION

- The max time which can be set is 99'99"
- Never operate the oven empty.
- If you turn the food during operation, press the **Start/Stop** button once and the preset cooking procedure will continue.
- If you intend to remove the food before the preset time, you must press **Reset** button once to clear the preset procedure to avoid unintended operation of next time use.
- At the maximum microwave power, the oven will automatically lower the power after a certain time of cooking to lengthen the service life.

B. Two-stage cooking

To obtain best cooking result, some recipes call for different cook mode and time. You may program your personalized menu as follow:

Example: You want to cook food with 100P microwave for 3 minutes then 20P for 9 minutes.

Steps	Display
1 100P microwave for 3min	
1.1 After power-up, the colon flashes, then press Reset once or wait for 30sec	:
1.2 Press "3", "0", "0" to set cooking time	3:00
1.3 Touch Power once then select the desired microwave power by pressing number "1" "0"	100P
1.4 Press Cook button once to confirm	
2 20P for 9min	
2.2 Press "9", "0", "0" to set cooking time	9:00
2.3 Touch Power once then select the desired microwave power by pressing number "2"	20P
3 Start cooking by pressing Start/Stop button	

9. SETTING "SPEED DEFROST"

1. On standby state or clock state, touch **Speed Defrost** key.
2. Enter desired defrosting time by touching correct number keys. Digital timer sets minutes and seconds from left to right so a single digit can be set (5 for 5 seconds) or up to 4 digits (2405 for 24 minutes 5 seconds).
3. Touch **Start/Stop** key.

Example: To speed defrost 0.2kg poultry with 2min50sec	
Steps	Display
1 After power-up, the colon flashes, then press Reset button once or wait for 30sec	:
2 Touch Speed Defrost key	:
3 Set defrost time by pressing the number button of "2", "5", "0"	2:50
4 Start cooking by pressing Start/Stop , and LED will count down to show running time	

CAUTION

- a. After time has elapsed four beeps sound and **END** appears in display. Touch **Reset** key or open the door to clear **END** before starting another cooking function.
- b. After setting **SPEED DEFROST**, oven can be programmed to automatically switch to one or two-stage cooking.
 - For speed defrost and one stage cooking, follow steps above. Before touching **Start/Stop** key, touch **Cook** key, and enter time and power level. Then touch **Start/Stop** key.
 - For speed defrost and two stage cooking, follow steps above. Before touching **Start/Stop** key, enter two-stage cooking programs.

10. SETTING "COOK BY WEIGHT"

The oven has default cooking menu for simple operation. You set the type and weight of food, and the oven automatically sets the cooking time and power level.

"COOK BY WEIGHT" CODE DESCRIPTIONS			
CODE	TYPE	WEIGHT RANGE	
1	Beef	0.1, 0.15, 0.2.....2.9, 2.95, 3.0 kg	
2	Mutton	0.1, 0.15, 0.2.....2.9, 2.95, 3.0 kg	
3	Pork	0.1, 0.15, 0.2.....1.9, 1.95, 2.0 kg	

Example: To cook 1.2kg beef	
Steps	Display
1 After power-up, the colon flashes, then press Reset button once or wait for 30sec	:
2 Touch Cook By Weight button once	
3 Select the food kind by entering code "1"	0.
4 Set food weight by pressing number "1" "2" "0"	1.20
5 The oven start cooking and time will appear automatically.	34:24

During cooking two beeps will be sound, it reminds you to turn over the food, after finishing turning over food, press **Start/Stop** to resume cooking

CAUTION

- a. Weight must be in kg.
- b. After total cooking time, 4 beeps sound and **END** appears in display. Touch **Reset** or open oven door to clear **END** before starting another cooking function
- c. Please wait for few minutes before take food out.

11. SETTING “DEFROST BY WEIGHT”

You set the type and weight of food, and the oven automatically sets the defrosting time.

Example: To defrost 1.15kg beef	
Steps	Display
1 After power-up, the colon flashes, then press Reset button once or wait for 30sec	:
2 Press Defrost By weight button	0.
3 Set defrosting weight by pressing the number button of “1”, “1”, “5”	1.15
4 Start cooking by pressing Start/Stop and LED will count down to show running time.	23:00

During cooking, two beeps will be sound, it reminds you to turn over the food, after finishing turning over food, press **Start/Stop** to resume cooking

CAUTION

- It is necessary to turn over the food during operation to obtain uniform effect.
- Usually defrosting will need longer time than that of cooking the food.
- If the food can be cut by knife, the defrosting process can be considered completed.
- Microwave penetrates around 4cm into most food.
- Defrosted food should be consumed as soon as possible, it is not advised to put back to fridge and freeze again.
- weight must be in kg, you can set the food weight from 0.1, 0.15, 0.2.....2.9, 2.95, 3.0 kg.

12. ABOUT “QUICK COOK” SETTINGS

“QUICK COOK” allow you to cook or reheat food automatically without entering power level or time. When setting “quick cook”, check visual guide on key for correct setting. These include the “POPCORN”, “BAKED POTATO”, “PIZZA”, “BEVERAGE”, “FROZEN DINNER”, “REHEAT”.

※ Setting “Popcorn”

- In standby state or clock state, touch **Popcorn** key which automatically sets the cooking time of microwave popcorn.
- Touch **Start/Stop** key.

CAUTION

To reset POPCORN time: tap **Popcorn** key twice. ENTER TIME appears in display. Touch number keys to enter minutes and seconds. Touch **Start/Stop** key. This new cooking time will remain whenever you touch the **Popcorn** key until you reset it.

※ Setting “Baked Potato”

For potatoes (0.11 to 0.17 kg. per entries):

- In standby state or clock state, touch **Baked Potato** key once.
- Enter number or potatoes by touching number keys from 1 to 4.
- Touch **Start/Stop** key.

※Setting “Pizza”

Reheating a slice (or two thin ones) of leftover pizza:

- In standby state or clock state, touch **Pizza** key once.
- Touch **Start/Stop** key.

※Setting “Beverage”

For coffee cups (0.14 to 0.2kg. per share):

1. On standby state or clock state, touch **Beverage** key once.
2. Enter number of cups by touching number pads from 1 to 4.
3. Touch **Start/Stop** key.

※ Setting “Frozen Dinner”

Microwaving one or two small (0.2 to 0.25kg. per share) frozen dinner:

1. In standby state or clock state, touch **Frozen Dinner** key once.
2. Touch 1 or 2 key to select 1 entree or 2 entrees.
3. Touch **Start/Stop** key.

※ Setting “Reheat”

- 1) On standby state or clock state, touch **Reheat** key.
- 2) Touch **Start/Stop** key.

⚠CAUTION

This setting lets you reheat a dinner plate of chilled leftovers with good results.

13. SETTING CHILD LOCK

Use this feature to lock the control panel when you are cleaning or so that children can not use the oven unsupervised. All the buttons are rendered inoperable in this mode

Set lock---hold **Reset** button about 3 seconds.

Cancel lock---hold **Reset** button about 3 seconds.

UTENSILS GUIDELINE

It is strongly recommended to use the containers which are suitable and safe for microwave cooking. Generally speaking, the containers which are made of heat-resistant ceramic, glass or plastic are suitable for microwave cooking. Never use the metal containers for microwave cooking and combination cooking as spark is likely to occur. You can take the reference of below table.

Material of container	Microwave	Notes
Heat-resistant ceramic	Yes	Never use the ceramics which are decorated with metal rim or glazed
Heat-resistant plastic	Yes	Can not be used for long time microwave cooking
Heat-resistant glass	Yes	
Plastic film	Yes	It should not be used when cooking meat or chops as the over-temperature may do damage to the film
Grill rack	No	
Metal container	No	It should not be used in microwave oven. Microwave can not penetrate through metal.
lacquer	No	Poor heat-resistant. Can not be used for High-temperature cooking
Bamboo wood and paper	No	Poor heat-resistant. Can not be used for High-temperature cooking

COOKING TIPS

The following factors may affect the cooking result:

Food arrangement

Place thicker areas towards outside of dish, the thinner part towards the centre and spread it evenly. Do not overlap if possible.

Cooking time length

Start cooking with a short time setting, evaluate it after it times out and extend it according to the actual need. Over cooking may result in smoke and burns.

Cooking food evenly

Food such as chicken, hamburger or steak should be turned once during cooking.
Depending on the type of food, if applicable, stir it from outside to centre of dish once or twice during cooking

Allow standing time

After cooking times out, leave the food in the oven for an adequate length of time, this allows it to complete its cooking cycle and cooling it down in a gradual manner

Whether the food is done

Color and hardness of food help to determine if it is done, these include:

- Steam coming out from all parts of food, not just the edge
- Joints of poultry can be moved easily
- Pork or poultry shows no signs of blood
- Fish is opaque and can be sliced easily with a fork

Browning dish

When using a browning dish or self-heating container, always place a heat-resistant insulator such as a porcelain plate under it to prevent damage to the turntable and rotating ring.

Microwave safe plastic wrap

When cooking food with high fat content, do not allow the plastic wrap come into contact with food as it may melt

Microwave safe plastic cookware

Some microwave safe plastic cookware might not be suitable for cooking foods with high fat and sugar content. Also, the preheating time specified in the dish instruction manual must not be exceeded

MAINTENANCE

SERVICING

Please check the following before calling for services.

1. Place one cup of water (approx. 150ml) in a glass measure in the oven and close the door securely. Oven lamp should go off if the door is closed properly. Let the oven work for 1 min.
2. Does the oven lamp light?
3. Does the cooling fan work?
(Put your hand over the rear ventilation openings.)
4. Does the turntable rotate?
(The turntable can rotate clockwise or counter clockwise. This is quite normal.)
5. Is the water inside the oven hot?

If "NO" is the answer to any of the above questions, please check your wall socket and the fuse in your meter box.

If both the wall socket and the fuse are functioning properly, CONTACT YOUR NEAREST SERVICE CENTER APPROVED.

SERVICING SAFEGUARDS

Caution: MICROWAVE RADIATION

1. The high voltage capacitor remains charge after disconnection; short the negative terminal of H. V capacitor to the oven chassis (use a screwdriver) to discharge before touching.

2. During servicing below listed parts are liable to be removed and give access to potentials above 250V to earth.

- Magnetron
- High voltage transformer
- High voltage capacitor
- High voltage diode
- High voltage fuse

3. The following conditions may cause undue microwave exposure during servicing.

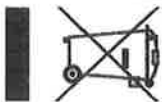
Improper fitting of magnetron;

Improper matching of door interlock, door hinge and door;

Improper fitting of switch support;

Door, door seal or enclosure has been damaged.

Correct Disposal of this product



This marking indicates that this product should not be disposed with other household wastes throughout the EU. To prevent possible harm to the environment or human health from uncontrolled waste disposal, recycle it responsibly to promote the sustainable reuse of material resources. To return your used device, please use the return and collection systems or contact the retailer where the product was purchased. They can take this product for environmental safe recycling.